

USER MANUAL

PROFESSIONAL e-Screen FLEX

65"

Full HD LCD touchscreen monitor

Important: Please **read** this user manual thoroughly and completely **before operating this monitor.**



ENGLISH



Legamaster 
We make communication visible

CONTENTS:

1 ▪ Important Safety Instructions	3
Safety Precautions	3
Installation (when installing the monitor, please follow the instructions in the manual)	3
Use	4
Cleaning	4
2 ▪ Warning For Use	5
Use	5
Exemptions	5
3 ▪ Features	5
4 ▪ Package	6
Unpacking	6
Contents of accessory bag	6
5 ▪ Installation	7
Environmental state	7
Power Input	7
Power Interface	7
Signal Source Input	7
6 ▪ Operating the Monitor	8
The side controller of the monitor	8
The Remote Control (RCU) Instructions	8
Change The RCU Battery	9
Display Mode	9
Adjusting the Volume	9
Selecting the input source	9
PIP mode	10
PIP Screen Table	10
OSD (On Screen Display) Menu Function	11
On-Screen Display (OSD)	13
Navigating through the Menu System	14
Display Settings Menu	15
Audio Settings Menu	15
Basic Settings Menu	16
Advanced Settings Menu	16
System Status Menu	17
7 ▪ Default Setting	17
8 ▪ Touch Operation	18
9 ▪ Table supported timings	19
10 ▪ Specification	20
Dimensions	21
11 ▪ Troubleshooting	22
12 ▪ Compliance	22
13 ▪ Appendix	23
Moving and Carrying Notice	23
Wall Mount Safety Notes	24

1 ■ Important Safety Instructions

Before using the touch monitor, please read this user manual thoroughly to help protect against damage to your own and other people's property and ensure your own and other people's personal safety.

- Be sure to observe the following instructions.
- For your safety, be sure to observe the warnings located in this manual.
- For installation or adjustment, please follow this user manual instruction and refer all servicing to qualified service personnel.

Safety Precautions

If smoke or peculiar smell comes from the monitor, remove the power plug from the outlet immediately.

Failure to do so may result in fire or electrical shock. Contact your dealer for inspection.

If the monitor has been turned on but there isn't a picture, remove the power plug from the outlet immediately.

Failure to do so may result in fire or electrical shock. Contact your dealer for inspection.

If water is spilled or objects are dropped inside the monitor, remove the power plug from the outlet immediately.

Failure to do so may result in fire or electrical shock. Contact your dealer for inspection.

If the monitor is dropped or the cabinet is damaged, remove the power plug from the outlet immediately.

Failure to do so may result in fire or electrical shock. Contact your dealer for inspection.

To turn off the power of the monitor, press "O" on the main power switch at side of monitor.

The power standby/on indicator will go off and the monitor cannot be turned on/off by using the POWER button on the remote control. (To turn on/off the monitor by the remote control, press the main power switch again and light the power standby/on indicator.)

- When turning off the monitor by pressing the POWER button on the remote control, the main power of the monitor is not turned off completely.
- To disconnect the monitor completely from power supply, remove the power plug from the outlet.

Press "O" to turn off the monitor completely



If the power cord or plug is damaged or becomes hot, turn off the main power switch of the monitor, make sure the power plug has cooled down and remove the power plug from the outlet.

If the monitor is still used in this condition, it may cause a fire or an electrical shock.

Contact your dealer for replacement.

Installation

(when installing the monitor, please follow the instructions in the user manual)

Don't install in a high-temperature environment.

If the monitor is used in high-temperature or in direct sunlight, it may cause the case or other parts become distorted or damaged resulting in overheating or electric shock.

Don't install in a high-humidity environment.

This may cause overheating or electric shock.

Don't install near any heat sources such as radiators, heat registers, stoves, or other apparatus that produce heat.

This may cause a fire or electric shock.

Don't overload outlets or cables beyond electrical capacity.

Don't use extension cords as it may cause a fire or electric shock.

Don't insert the power plug into an outlet other than 100~240V AC.

This may cause a fire or electric shock.

- Don't use a damaged power plug or worn outlet.
- Don't insert the improper power plug it may cause a fire and electric shock.

Don't place the touch monitor on an unstable shelf or surface.

The monitor may fall causing injury. Please install on a horizontal, stable, level surface.

Don't place objects on the touch monitor.

- If the touch monitor is covered or the vents are blocked, the monitor could overheat and cause a fire.
- If metal or liquid gets into the monitor, it may cause a fire or an electrical shock.
- Do not put heavy objects on the monitor as it may fall causing injury.
- Please keep a 10 cm minimum distance between the monitor and the wall for sufficient ventilation.

Don't move the touch monitor when it is connected to the power cord and AV cables.

- When moving the monitor, make sure to remove the power plug and cables from the outlet or source.
- When unpacking or carrying the monitor, at least 2 people are needed. Make sure the monitor is carried upright.
- Transport the monitor upright. Avoid placing the monitor face up or down.
- Handle the monitor gently. Do not drop.

Use

If you encounter a problem during installation, please contact your dealer for assistance. Don't repair or open the monitor by yourself.

Failure to do so may result in fire or electrical shock. Contact your dealer for inspection.

Protect and correctly use the power cord/plug.

- Don't press heavily on the power cord/plug.
- Don't step on the power cord/plug.
- Before inserting the power plug into the wall outlet, connect the power cord to the monitor.
- Don't operate the monitor with a damaged power cord or it may damage the monitor.

Using the extension cords (not recommended)

If an extension cord must be used, ensure the voltage rating exceeds the max power consumption of the monitor, if the voltage rating is less than the monitor, it will cause the extension cord to overheat.

Don't use any kind of liquid on the monitor.

- If liquid is spilled on the monitor, remove the power and ask a qualified service personnel to check the monitor.
- If the liquid gets on the monitor's screen, please clean it with a dry and soft cloth immediately.
- Don't use any harsh chemical on the monitor.
- If metal or liquid gets into the monitor, it may cause a fire or an electrical shock.

Don't install or remove the power plug with wet hands.

This may cause an electric shock.

If the monitor will not be used for a long period of time, unplug the monitor.

This may cause premature wear of electrical components or fire.

Don't push or shake the monitor.

This may cause damage or injury.

- If the glass of the monitor panel is broken, liquid may escape. Please don't touch the liquid.
- If liquid get into your eyes or touches your skin, wash with the clean water and seek medical attention immediately.

Precautions with the remote control batteries.

- Please only use approved AAA type batteries.
- Please be sure to insert batteries by matching the + and -.
- Don't recharge, heat, disassemble, short or throw batteries into a fire.
- Don't mix a new battery with a used one.
- Don't mix different types of batteries together (only use the specified type). Or, it may cause burn and injury.

Cleaning

If dust has collected on the power plug, removed the plug from the outlet and clean off the dust.

Dust build-up may cause a fire.

Take off the power plug before cleaning.

Failure to do so may result in electrical shock or damage.

Cleaning the surface of the monitor.

- When the surface of the monitor becomes dirty, please wipe the surface lightly with a soft clean cloth.
- If the surface requires additional cleaning, lightly moisten the cloth with rubbing alcohol.
- Do not to let alcohol enter the monitor as it may cause electrical shock or damage.

2 ▪ Warning For Use

Use

- Do not use this touch monitor on the ground.
- Transport the monitor upright with proper packaging. Avoid placing the monitor face up or down. Be careful not to bump to the monitor.
- Do not send a static (non moving) image this monitor, or it may cause image 'burn-in' or image retention.
- "Burn in" and/or image retention is not covered under warranty.
- Make sure to change the image on the monitor periodically. It is recommended to turn off the monitor for at least 6 hours after 18 hours of usage in a day to avoid image retention.

Warning:

This is a class A product. In a domestic environment, this product may cause radio interference in which case the user may be required to make adequate measures.

Exemptions

- This product isn't warranted for any damage caused by natural disaster (such as earthquake, thunder, etc), fire, acts by third parties, accidents, owner's intentional misuse and fault, or uses in other improper conditions.
- This product isn't warranted for incidental damages (such as profit loss or interruption in business, modification or erasure of record data, etc.) caused by use or inability to use of this product.
- This product isn't warranted for any damage caused by inappropriate operation, or from not following the user manual.
- This product isn't warranted for any damage caused by misuse or malfunction through simultaneous use of this product and the connected equipment or software.
- This product isn't warranted for any damage caused by neglect of the instructions described about installation.
- This product isn't warranted for any damage caused by improper installation.
- This product isn't warranted for any damage caused by disassembly, modification or repair by non-authorized service center or people.

3 ▪ Features

High-resolution Full-HD 120Hz panel

This monitor supports a **1920 x 1080 HDTV** format and can display true **1.073G colors**.

Full array of PID connectivity

Video system Input

- HDMI x2
- COMPONENT (RCA) x1
- VIDEO (RCA) x1
- S-VIDEO (Mini Din 4 pin) x1

RGB Input

- PC (VGA D-Sub 15pin) x1

Communication

- RS-232C in D-sub 9pin
- RS-485 in/out

Other functions

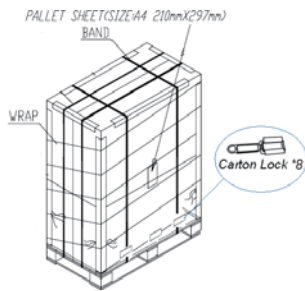
- High color saturation.
- 2 HDMI v1.3 inputs with HDCP.
- SPDIF output.
- Signal source auto detection.
- OSD keypad lock function.
- PIP/ PBP function. Please see the chapter "Display mode "
- Overscan function.
- Supports input main / sub source detection.

4 ▪ Package

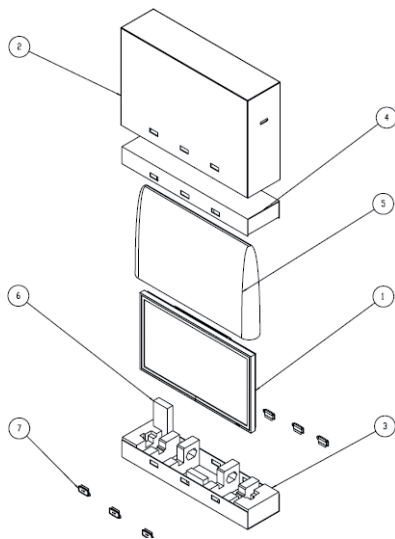
Unpacking

- The e-Screen 65" is packed in a carton box and may be banded to 2 types of custom pallet depends on the number of units shipped. The e-Screen 65" is packed using cushions to protect the monitor during shipping.
- Before unpacking your monitor, prepare a stable, level, and clean surface near a wall outlet.
- Set the LCD Monitor box in an upright position and open from the top of the box before removing the top cushions.

▪ Step 1: Remove the white handle and cut the banding



▪ Step 2: Remove the top cushion and take the accessories Bag out.



Item	Q'ty
1 e-Screen 65"	1
2 Carton	1 pcs
3 Bottom cushion	1 pcs
4 Top cushion	1 pcs
5 Packing bag	1 pcs
6 Accessories Bag	1 pcs
7 Ergonomic stylus	1 set
8 Carton lock	8 pcs

Contents of the Accessory Bag

VGA Cable (D-sub)



Power Cord –black



OSD Remote Control

2 piece batteries (AAA) inside.



USB Cable



HDMI to DVI adaptor



Ergonomic stylus



5 ■ Installation

Environmental state

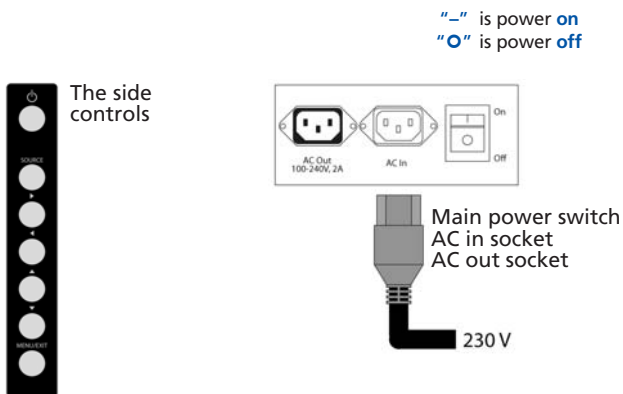
- Operating temperature: 5°C ~ 35°C (Fahrenheit : 41°F ~ 95°F)
- Humidity : 85% RH (Max)

Power Input

Power Cord

The included power cord is used to connect the side controls of the LCD monitor and the wall outlet. Connect the power cord into main power of the monitor, “_” is power **on**, “○” is power **off**.

Input: 100-240V~ 3A 50/60Hz



Signal Source Input

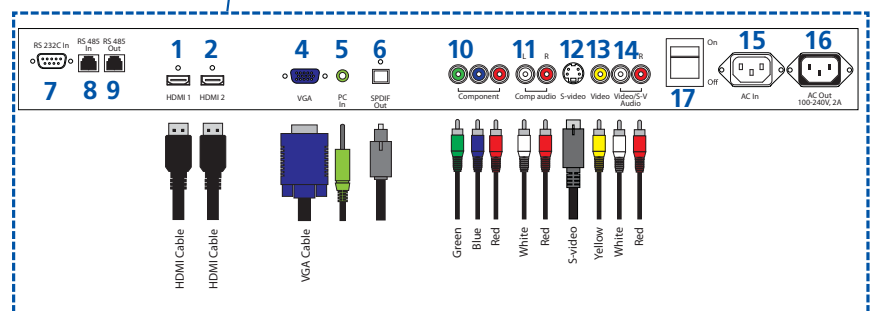
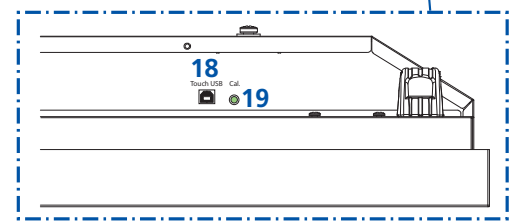
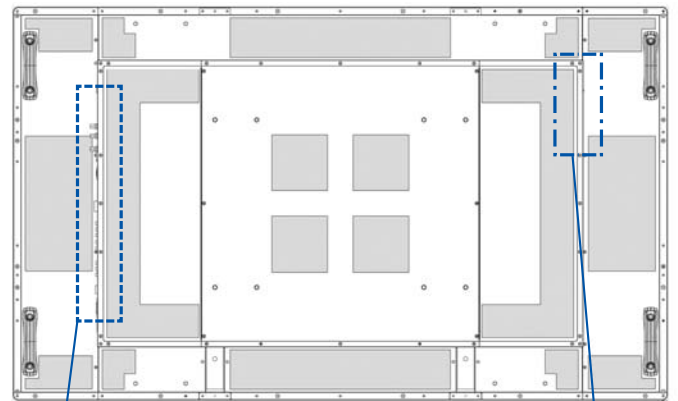
Input Interface

Name	Connector
1 HDMI 1 input x 1	
2 HDMI 2 input x 1	
3 *	D-Sub 24 pin
4 VGA	D-Sub 15 pin
5 PC audio in	Mini jack
6 S-PDIF out	
7 RS232C	D-Sub 9-pin
8 RS485 In	RJ-45
9 RS485 Out	RJ-45
10 Component	RCA G/B/R
11 Audio In (Component)	RCA L/R
12 S-Video	mini Din 4 pin
13 Video	RCA
14 Audio in (S-Video/Video)	RCA L/R
15 AC in connector	
16 AC out connector	IEC-C13
17 Power switch	ON/OFF
18 Touch USB	Type B female
19 Touch CAL	

* DVI-D via HDMI-to-DVI adaptor

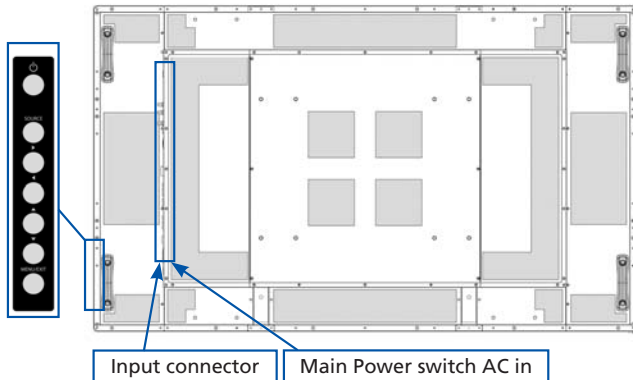
Power Interface

- Main power – switch & AC socket. Please see the chapter “Power input”
- The side controller of the monitor
- The remote control (RCU)



6 ▪ Operating the monitor

The side controller of the monitor



▪ OSD Key Pad function List

Key	Description
Power	Power on/Power off
Source	Source selection (toggle)
▶	Menu Right/Volume +
◀	Menu Left/Volume -
▲	Menu Up
▼	Menu Down
Menu/Exit	Menu/Exit selection



Power ON-Stand by Indicator
Remote Control Receiver

▪ LED ON:

Power Status	Condition
Green	Power on
Orange	Power off
	Power saving mode
	Select LED on via menu (Front LED: On)
Off	AC off
	Power on
	Select LED on via menu (Front LED: Off)

▪ LED OFF:

The LED turn completely off when in the „off“ mode regardless of the monitor being on or off.

The Remote Control (RCU) Instructions

Input Interface

No	Function	Description
1	⏻	Turns the monitor on and off
2	INFO	Provides source and resolution information
3	VGA DVI HDMI 1	Selects the PC RGB source Not available at this model Selects the HDMI source 1
4	COMP 1 AV 1 (VIDEO 1) HDMI 2	Selects the Component source Selects the Composite Video source Selects the HDMI source 2
5	COMP 2 AV 2 (VIDEO 2)	Not available at this model Not available at this model
6	PIP S-V HD-SDI 2	Turns the PIP feature on and off Selects the S-Video source Not available at this model
7	SWAP	Swaps the main source & sub source picture
8	P-SOURCE	Selects the secondary sub-source
9	MENU	Opens the monitor's on-screen menu system. When the menu system is already open, pressing this button will select the previous submenu
	▲, ◀, ▶, ▼	Navigates through submenus and settings
10	EXIT	Closes the menu system
11	ENTER	Selects highlighted menu choices
12	SCALING	Toggles between different aspect ratios (Auto, Native, 4x3, 16x9, 16x10 and Letterbox)
	FREEZE	Freezes the current source image
	MUTE	Turns off the sound
	BRIGHT	Adjusts the brightness
	CONTRAST	Adjusts the contrast
	AUTO	Synchronizes the monitor to the source
	SOURCE	Allows selection of the different sources
	VOLUME-	Decreases the sound volume
	VOLUME+	Increases the sound volume



★ HOT KEY:

OSD Menu Lock/Unlock Control

Lock: Press **Enter, Enter, Exit, Exit, Enter** and **Exit** on the controller by sequence and OSD will be locked.

Unlock: Press **Enter, Enter, Exit, Exit, Enter** and **Exit** on the controller by sequence and OSD will be unlocked.

Change the RCU Battery

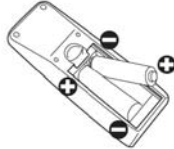
1. Remove the battery cover

- Slide back and remove the battery cover in the direction of the arrow.



2. Insert the batteries

- Align and insert two AAA batteries according to their plus and minus ports (as indicated in the remote control)



3. Close the battery cover

- Replace the battery cover in the direction of the arrow and snap it back into place.



- **Used batteries needed to follow the city rule to be discarded.**
- **Avoid keeping used, old batteries inside the remote control, causing leakage of internal liquid resulting metal rust or fatal damage to the remote control hand unit.**
- **Battery to be used according to the instruction**



CAUTION

- Don't drop, shake or bump.
- Don't place on wet materials.
- Don't dismantle.
- Don't place in locations with exposure to high-temperature or high-humidity levels.

Display Mode

Turning the monitor on

1. Correctly insert the power cord into monitor and into the power outlet.
2. Ensure the AC switch is set to "—".
3. Press the power button on the remote or side control panel.

Turning the monitor off

With the power on, press the power button on the remote or side control panel to put the monitor in a standby mode. To turn off power completely, turn the AC switch to "O" or disconnect the AC power cord from the power outlet.

NOTE:

If there is no signal input for a period of time, the monitor will automatically go to standby mode.

Adjusting the Volume

1. Using the remote, press the **VOLUME-** or **VOLUME+** to increase or decrease the volume.
2. Press the **MUTE** button to temporarily turn off all sound. To restore the sound, press the **MUTE** button again.

Selecting the input source

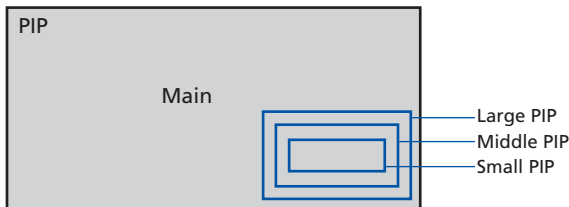
1. Using the remote, press the desired source button (VGA, HDMI1, HDMI2, COMP, VIDEO or S-V)
2. Or press **SOURCE** on the monitor keypad, use the arrow buttons (▲ ▼) to navigate to the desired input source, and press **ENTER**:
 - HDMI 1
 - HDMI 2
 - VGA
 - Component
 - S-Video
 - Composite Video
3. When the monitor cannot find a source, a "No signal" message will appear.



PIP mode

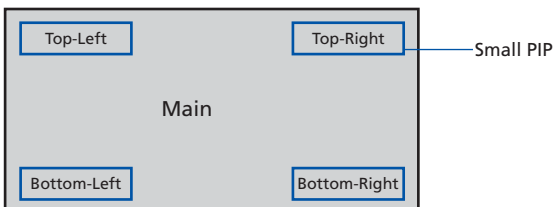
1. **Select the main source** – Using the remote, press the desired source button (VGA, HDMI1, HDMI2, COMP, VIDEO or S-V).

2. **Turn on PIP:** Using the remote, press **PIP**.

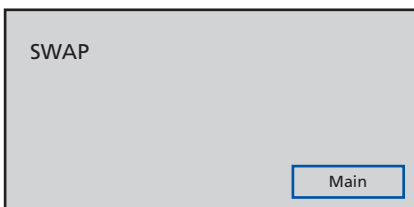


3. **To select the PIP/ sub-source:** Using the remote, press **P-SOURCE** and use the arrow buttons (▲ ▼) to navigate to the desired sub-source. Press **ENTER**.

4. **To change the size and position of the sub-source:** Using the remote, press **P-POSITION** to toggle through the options.

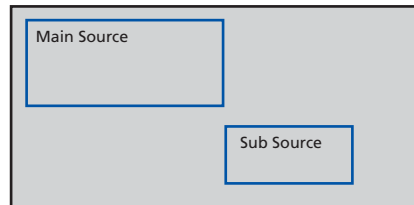


5. **To switch the main source and the subsource:** Using the remote, press **SWAP**.

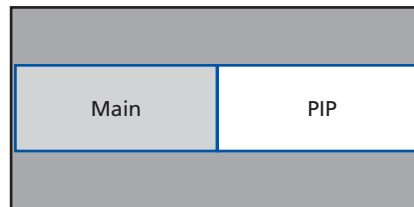


6. **To switch audio between the main source and the subsource:** Using the remote, press **AUDIO**.

7. **Note:** For additional **PIP** functionality, press **MENU** and navigate to the **Display Settings** menu. Use the arrow buttons (▲ ▼) to navigate to the desired **PIP** feature and press **ENTER**. Press ► to toggle through the associated options and press **ENTER** to select the highlighted option.



8. **Side by Side (Picture-by-Picture):** Press **P-POSITION** button choose "Side by side" mode, then the main source and the subsource will be on the screen display.



PIP Screen Table

	HDMI 1	HDMI 2	VGA	Component	S-Video	Video
HDMI 1	-	-	✓	✓	✓	✓
HDMI 2	-	-	✓	✓	✓	✓
VGA	✓	✓	-	✓	✓	✓
Component	✓	✓	✓	-	✓	✓
S-Video	✓	✓	✓	✓	-	✓
Video	✓	✓	✓	✓	✓	-

OSD (On Screen Display) Menu Function

Graphics Mode

Main Menu	Sub-Menu	Sub-Sub-Menu	Description	Setting
Image Settings	Scheme		Disabled in Graphics mode	
	Brightness		Adjust the brightness of the screen	0~100
	Contrast		Adjust the contrast of the screen	0~100
	Sharpness		Adjust the sharpness of the screen	0~24
	Saturation		Disabled in Graphics mode	
	Hue		Disabled in Graphics mode	
	Backlight		Adjust the backlight	0~100
	Gamma & Color Temp	Gamma	Select the Gamma	2.2, Off
		Color Temp	Select the Color Temp	5000K ,6500K,7500K, 9300K,User
		Red Gain	Select the Red Gain	128 ~ 384
Green Gain		Select the Green Gain	128 ~ 384	
Blue Gain		Select the Blue Gain	128 ~ 384	
Red Offset		Select the Red Offset	-50 ~ 50	
Green Offset		Select the Green Offset	-50 ~ 50	
Display Settings	Main	Aspect Ratio	Adjust the aspect ratio of the screen	Full Screen, Native, Letter Box, Pillar Box
		Zoom	Adjust the zoom function	▶ ◀
		Auto Scan	Select the Auto scan function	Off, On
		Select source	Select the main input source	VGA, HDMI1/2, Video, S-V, Component
	PIP	PIP mode	Select PIP mode	Off, Large PIP, Medium PIP, Small PIP, Side by Side
		PIP Position	Select PIP location	Bottom-Right, Top-Left, Top-Right, Bottom-Left
		Aspect Ratio	Adjust the aspect ratio of the screen	Full Screen, Native, Letter Box, Pillar Box
		Side by Side Scale		▶ PIP ◀ Main ▲ Zoom IN ▼ Zoom Out
		Auto Scan	Select the Auto scan function	Off, On
		Select source	Select the main input source When PIP mode is enable	VGA, HDMI1/2, Video, S-V, Component
Audio Settings	Volume		Adjust volume	0 ~ 100
	Bass		Adjust Bass volume	0 ~ 20
	Treble		Adjust Treble volume	0 ~ 20
	Balance		Adjust the balance of the screen	0 ~ 20
	HDMI Audio Input		SPDIF & audio input Control	HDMI/PC
Basic Settings	OSD Transparent		Adjust the OSD transparent function	0 ~ 100
	OSD Location		Adjust the OSD location	▶ ◀ ▲ ▼
	OSD Zoom		Adjust the OSD size (Disable in portrait type)	Off, On
	OSD Rotation		Adjust the OSD rotation	Landscape/Portrait
	OSD Language		Select the OSD language	English/German/Dutch/French
	OSD Timeout		Select the OSD timeout seconds	5~120 sec.
	Sleep Timer		Select the sleep timer	Off, 15, 30, 60, 90, 120 Min.
	Real Time Clock		Setup Date & Time	
Advanced Settings	Auto Adjustment		Select Auto adjustment function	Off, On
	Image Position		▶ 0~ -100 ◀ 0 ~ 100 ▲ according to resolution ▼ according to resolution	
	Phase		According to resolution	
	Clock		According to resolution	
	Flesh Tone		Disabled in Graphics mode	
	Front LED		Select the front LED function	Off, On
	IRFM		Select the anti burn in mode function	Off, On
	Band rate		Setting the band rate of monitor	115200, 38400, 19200, 9600
	Monitor ID		Setting the ID of monitor	1 ~ 255
	Light Sensor		Select light sensor function	Off, On
	Factory Reset		Reset to the factory default setting	Yes, No
	VGA ADC Settings	ADC Mode	Select ADC setting	Default, User
		User ADC Calibration	Execute User ADC Calibration	
Restore ADC to Default		Restore User ADC setting to factory ADC default		
System Status	Channel Information	Source	Show the name of input source	
		Resolution	Show the current resolution	
		Firmware Version	Show the firmware of the monitor	

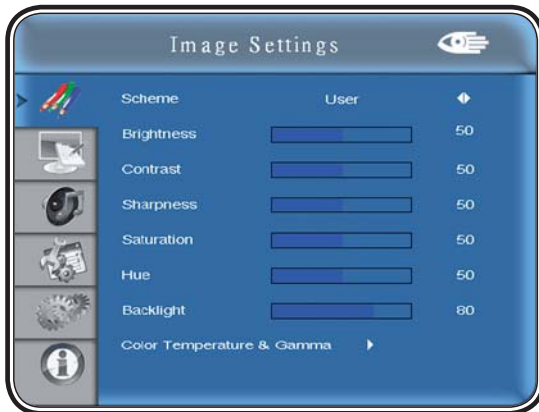
Video Mode

Main Menu	Sub-Menu	Sub-Sub-Menu	Description	Setting	
Image Settings	Scheme		Disabled in Graphics mode	User, Vivid, Cinema, Game Sport	
	Brightness		Adjust the brightness of the screen	0~100	
	Contrast		Adjust the contrast of the screen	0~100	
	Sharpness		Adjust the sharpness of the screen	0~24	
	Saturation		Disabled in Graphics mode	0~100	
	Hue		Disabled in Graphics mode	0~100	
	Backlight		Adjust the backlight	0~100	
	Gamma & Color Temp	Gamma		Select the Gamma	2.2, Off
		Color Temp		Select the Color Temp	5000K, 6500K, 7500K, 9300K, User
		Red Gain		Select the Red Gain	128 ~ 384
		Green Gain		Select the Green Gain	128 ~ 384
Blue Gain		Select the Blue Gain	128 ~ 384		
Red Offset		Select the Red Offset	-50 ~ 50		
Blue Offset		Select the Blue Offset	-50 ~ 50		
Display Settings	Main	Aspect Ratio	Adjust the aspect ratio of the screen	Full screen, Pillar Box, Letter Box, Native	
		Zoom	Adjust the zoom function	▶ ◀	
		Auto Scan	Select the Auto scan function	Off, On	
		Select source	Select the main input source	VGA, HDMI1/2, Video, S-V, Component	
Display Settings	PIP	PIP mode	Select PIP mode	Off, Large PIP, Medium PIP, Small PIP, Side by Side	
		PIP Position	Select PIP location	Bottom-Right, Top-Left, Top-Right, Bottom-Left	
		Aspect Ratio	Adjust the aspect ratio of the screen	Full screen, Pillar Box, Letter Box	
		Side by Side Scale		▶ PIP ◀ Main ▲ Zoom IN ▼ Zoom Out	
		Auto Scan	Select the Auto scan function	Off, On	
		Select source	Select the main input source When PIP mode is enable	VGA, HDMI1/2, Video,S-V, Component	
Audio Settings	Volume		Adjust volume	0 ~ 100	
	Bass		Adjust Bass volume	0 ~ 20	
	Treble		Adjust Treble volume	0 ~ 20	
	Balance		Adjust the balance of the screen	0 ~ 20	
	HDMI Audio Input		SPDIF & audio input Control	HDMI/PC	
Basic Settings	OSD Transparent		Adjust the OSD transparent function	0 ~ 100	
	OSD Location		Adjust the OSD location	▶ ◀ ▲ ▼	
	OSD Zoom		Adjust the OSD size (Disable in portrait type)	Off, On	
	OSD Rotation		Adjust the OSD rotation	Landscape/Portrait	
	OSD Language		Select the OSD language	English/German/Dutch/French	
	OSD Timeout		Select the OSD timeout seconds	5~120 sec.	
	Sleep Timer		Select the sleep timer	Off, 15, 30, 60, 90, 120 Min.	
	Real Time Clock		Setup Date & Time		
Advanced Settings	Auto Adjustment		Disabled if not a VGA mode		
	Image Position		Disabled if not a VGA mode		
	Phase		Disabled if not a VGA mode		
	Clock		Disabled if not a VGA mode		
	Flesh Tone		Select the flesh tone setting	Off, High, Medium, Low	
	Front LED		Select the front LED function	Off, On	
	IRFM		Select the anti burn in mode function	Off, On	
	Band rate		Setting the band rate of monitor	115200, 38400, 19200, 9600	
	Monitor ID		Setting the ID of monitor	1 ~ 255	
	Light Sensor		Select light sensor function	Off, On	
Factory Reset		Reset to the factory default setting	Yes, No		
System Status	Channel Information	Source	Show the name of input source		
		Resolution	Show the current resolution		
		Firmware Version	Show the firmware of the monitor		

On-Screen Display (OSD)

Menu Overview

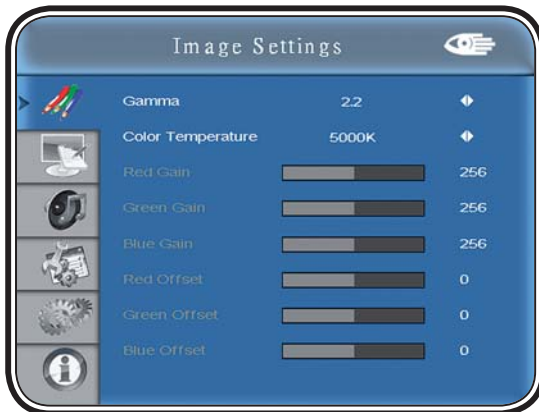
Image settings – Main setting



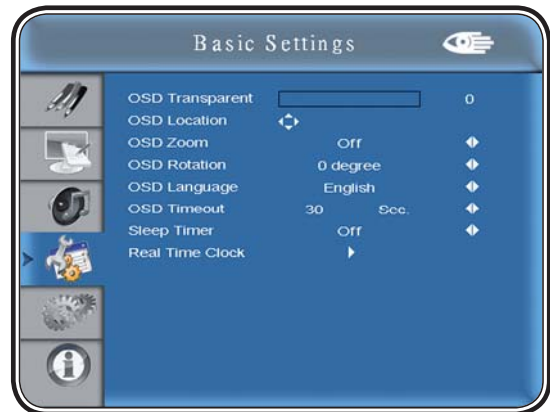
Audio Settings



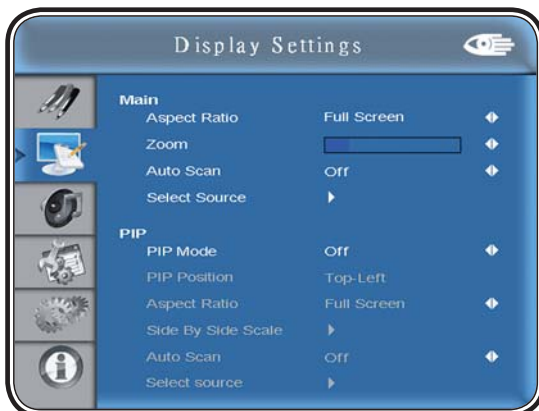
Image settings - continued



Basic Settings



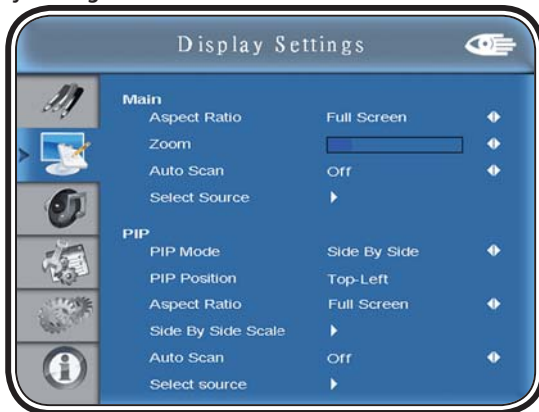
Display settings (PIP)



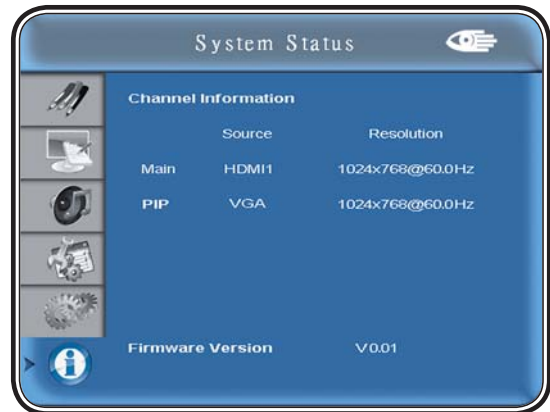
Advanced Settings



Display settings - continued



System Status

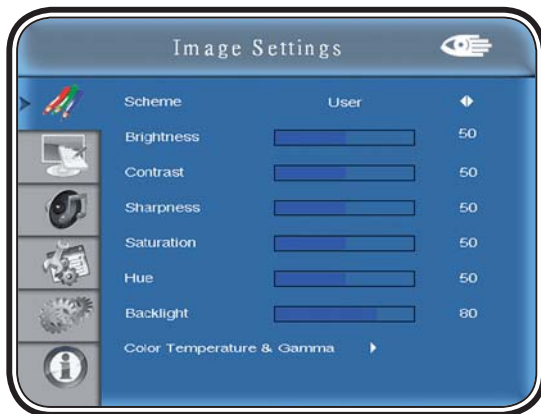


Navigating through the Menu System

1. With the power on, press **MENU**.
The Image Settings menu will display.
2. Within the menu, use **▲▼▶◀** and **ENTER** to navigate through the menus and adjust options.
3. Press **MENU** to return to the previous menu.
To exit the menu system, press **EXIT**.

Image Settings Menu

This menu is used for making common image adjustments.

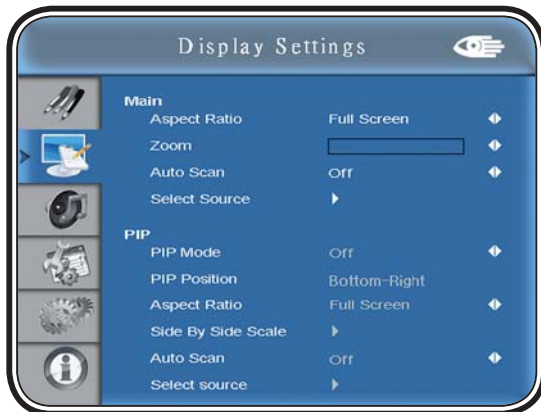


Scheme	Press ◀ or ▶ to select one of the following: Options: User, Vivid, Cinema, Game, Sport Default: User
Brightness	Increases or decreases the brightness of picture. Press ◀ or ▶, select the desired level, and then press ENTER . Range: 0~100; Default: 50
Contrast	Increases or decreases the contrast of picture. Press ◀ or ▶, select the desired level, and then press ENTER . Range: 0~100; Default: 50
Sharpness	Adjusts the definition of picture. Press ◀ or ▶, select the desired level, and then press ENTER . Range: 0~24; Default: 10
Saturation	Adjusts the brilliance and brightness (only Video Mode). Press ◀ or ▶, select the desired level, and then press ENTER . Range: 0~100; Default: 50
Hue	Increases or decreases the green hue (Only Video Mode). Press ◀ or ▶, select the desired level, and then press ENTER . Range: 0~100; Default: 50
Back Light	Range: 0~100; Default: 80

Color Temp and Gamma	Adjusts red, green, blue gain and red, green blue offset.
Gamma	Options: Off, 2.2 Default: 2.2
RColor Temp	Options: User, 5000K, 6500K, 7500K and 9300K. Default: 9300K
Red Gain	Set Color Temperature to "User Mode" in order to adjust this setting. Range: 128~384 Default: 256
Green Gain	Set Color Temperature to "User Mode" in order to adjust this setting. Range: 128~384 Default: 256
Blue Gain	Set Color Temperature to "User Mode" in order to adjust this setting. Range: 128~384 Default: 256
Red Offset	Set Color Temperature to "User Mode" in order to adjust this setting. Range: -50~50 Default: 0
Green Offset	Set Color Temperature to "User Mode" in order to adjust this setting. Range: -50~50 Default: 0
Blue Offset	Set Color Temperature to "User Mode" in order to adjust this setting. Range: -50~50 Default: 0

Display Settings Menu

This menu is used for common source adjustments.



Audio Settings Menu

This menu is used for adjusting volume settings.



MAIN	The Display Setting Mode.
Aspect Ratio	Changes the picture aspect ratio Press ◀ or ▶, to select the following options: Option: Full screen, Pillar Box, Letter Box, Native Default: Full screen
Zoom	Range: 0~10 Default: 0
Auto Scan	Range: On, Off Default: On
Select Source	Options: VGA, HDMI1, HDMI2, Video, S-Video, Component Default: HDMI1
PIP	
PIP Mode	Options: Off, Large PIP, Middle PIP, Small PIP and Side-by-Side Default: Off
PIP Position	Options: Bottom-Right, Top-Left, Top-Right and Bottom-Left Default: Bottom-Right
Aspect Ratio	Options: Full screen, Pillar Box, Letter Box Default: Full screen
Side by Side Scale	Submenu Options: Zoom In, Zoom Out, Main, PIP, Default and Return
Auto Scan	Options: On, Off Default: On
Select Source	Options: VGA, HDMI1, HDMI2, Video, S-Video, Component Default: VGA

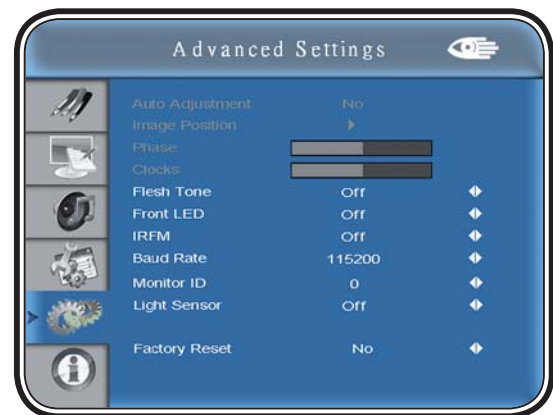
Volume	Adjust the sound. Press ◀ or ▶, select the desired level, and then press ENTER . Range: 0~100 Default: 50
Bass	Adjust the sound in low tones (bass). Press ◀ or ▶, select the desired level, and then press ENTER . Range: 0~20 Default: 10
Treble	Adjust the sound in high tones (Treble). Press ◀ or ▶, select the desired level, and then press ENTER . Range: 0~20 Default: 10
Balance	Adjust the balance of the left and right speakers. Press ◀ or ▶, select the desired level, and then press ENTER . Range: 0~20 Default: 10
HDMI Audio Input	Select HDMI and PC audio input mode. Default: HDMI

Basic Settings Menu

This menu is used to make initial set-up adjustments to the OSD (On-Screen Display) menu and other on-screen messages.



Advanced Settings Menu



OSD Transparent

Set the menu transparency. Press ◀ or ▶, select the desired level, and then press **ENTER**.
Range: 0~100
Default: 0

OSD Location

Adjust the menu location on the monitor (Up, Down, Left, Right).

OSD Zoom

Options: On, Off
Default: Off

OSD Rotation

Select the OSD Rotation. Press ◀ ▶ select the rotation.
Options: Landscape, Portrait
Default: Landscape

OSD Language

Options: English/German/Dutch/French
Default: English

OSD Timeout

Options: 5~120
Default: 30

Sleep Timer

Set a period of time after which the monitor will switch to standby mode automatically. Press ◀ ▶ to select the desired time limit.
Options: Off, 15, 30, 45, 60, 90, 120 Min
Default: Off

Real Time Clock

Set date, and switch alarm on and off. Use ▲, ▼, ◀, ▶ to adjust these options.

Auto Adjustment

Forces the monitor to reacquire and lock to the input signal. This is useful when the signal quality is marginal. Note: This feature does not continually reacquire the signal.
Options: No, Yes; **Default:** No

Image Position

Image location can be adjusted (Only VGA Mode).
Options: Up, Down, Left, Right

Phase

Range: 0~63 (Only VGA Mode)

Clocks

Range: 0~100 (Only VGA Mode)

Flesh Tone

Options: Off, Low, Medium and High (Only Video Mode)
Default: Off

Front LED

Options: On and Off; **Default:** On

IRFM

Creates slight frame motion to help avoid image retention.
Options: On, Off
Default: Off

Baud Rate

Options: 115200, 38400, 19200, 9600
Default: 115200

Monitor ID

Options: 1~ 255
Default: 0

Light Sensor

Options: On and Off; **Default:** Off

Factory Reset

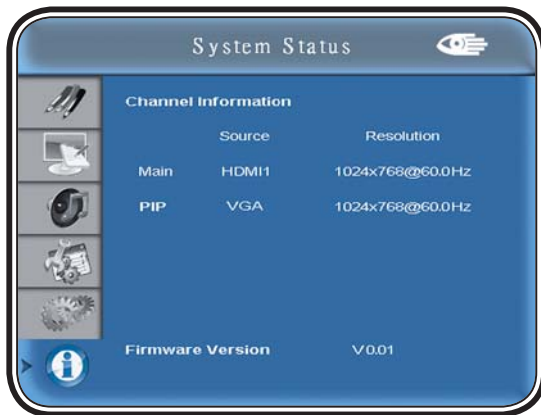
Restores all settings to their default.
Options: No, Yes; **Default:** No

VGA ADC Settings

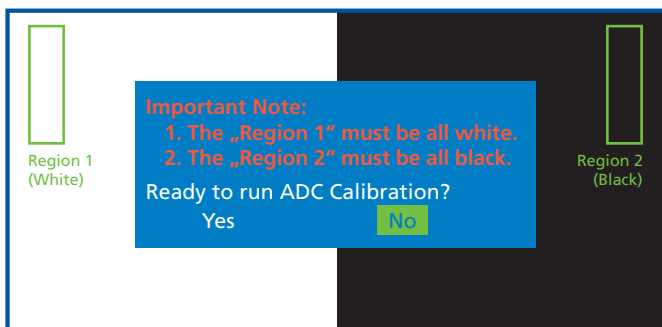
Select ADC setting, User ADC Calibration, and restore factory default ADC setting.
Options: Default, User
Default: Default

System Status Menu

This read-only menu provides information on the active sources and the latest firmware version.



1. When using VGA as signal source, go to Advanced Settings in OSD menu and select VGA ADC Settings, then choose User ADC Calibration.
2. A warning message (see image below) will show to make sure proper image is displayed on screen before ADC calibration begins
 - I. Image in the green boxes, displayed on both side of the screen, has to be white and black in order to run the calibration accurately (the black and white image can be made using software like Microsoft PowerPoint)
 - II. The white in the left green box has to be the brightest white.
 - III. The black in the right green box has to be the darkest black.



3. After proper image is displayed, click "Yes" to begin ADC calibration
4. During calibration process, the following image will show to notify user to wait for the calibration.
User ADC Calibration... Please Wait!
5. After calibration is completed, the display will notify user if the process is done successfully by different messages.
User ADC Calibration Finish!
User ADC Calibration Failure!

7 ▪ Default Setting

Item	Default Value
Power switch	Off
Brightness	80
Backlight	80
Contrast	50
Color Temp.	9300 K
Language	english
Gamma	2.2
Over-scan	0%
Source Auto Detection	Off
OSD Language	English
Auto scan	Off
Default input	HDMI1
Power status	On
IRFM	Off
Baud rate	115200

8 ▪ Touch Operation

1. Connect the signal cable to monitor, then turn on computer.
2. Connect the USB cable with monitor and computer.
3. Turn on the monitor (AC switch on).
4. Connect one side of USB cable (Type-B USB connector) on the monitor side. See below picture. (Check "Connection" section for exact location).
5. Connect the other side of USB cable (Type-A USB) to the USB port on computer.
6. Wait for 5 seconds and the touch function is ready to go. It can be activated by pen, finger, or any other pointer.
7. This touch monitor is Microsoft Windows 7 compatible. In order to activate, go to http://www.nextwindow.com/nextwindow_support/windriver.html to download the latest driver. Follow the direction in the **NW Multitouch Device Driver Installation Guide** (part of the compressed file along with the driver) to install the driver.
8. Once the driver is installed, restart the PC and the touch function is ready to go with MS Windows 7.
9. Operating Systems Supported:
 - I. Microsoft Windows:
 - i. Windows 2000, XP, Vista, and 7: Plug-and-play
 - ii. Driver required to run dual-touch/gesture on Windows 7 (works as a digitizer)
 - II. Mac OS: Plug-and-Play, Single touch only.
 - III. Linux: Supports Knoppix (based on Debian) distribution with the following requirements:
 - i. Linux 2.6 kernel series
 - ii. Evtouch Touchscreen Driver
<http://www.conan.de/touchscreen/evtouch.html>
 - iii. Single touch only
10. 4-Point Calibration Procedure: (Note: no calibration is required for first time use, however, the touch panel might be required for calibration over time depends on the usage)
 - I. Press the CAL button located next to the USB connector (see page 8, item 4 for location) or press the "Scroll Lock" key on the keyboard 6 times.



- II. Wait for the beep sound, and the cursor will move to near the upper left corner of the display automatically.
- III. Place finger, gloved hand, or any other pointer on the cursor, and stay for 2 seconds (a beep sound will occur when the pointer is placed on the cursor). Then the cursor will move to near the upper right corner automatically.
- IV. Repeat the procedure of item III until all 4 points is calibrated. (see image below for the places where cursor appears).
- V. Confirm by tapping anywhere between the 4 points. The calibration is completed and the touch monitor is ready to be used now.



9 ■ Table supported timings

Timing		fH (kHz)	fV (Hz)	Dot clock (MHz)	HDMI	VGA	Component	S-Video	Composite	
VESA	VGA 640x480	31.469	59.94	25.175	O	O				
		37.861	72.809	31.5	O	O				
		37.5	75	31.5	O	O				
		43.269	85.008	36	O	O				
	SVGA 800x600	35.156	56.25	36	O	O				
		37.879	60.317	40	O	O				
		48.077	72.188	50	O	O				
		46.875	75	49.5	O	O				
	XGA 1024x768	53.674	85.06	56.25	O	O				
		48.363	60.004	65	O	O				
		56.476	70.069	75	O	O				
		60.023	75.029	78.75	O	O				
	WXGA 1360x768	68.677	84.997	94.5	O	O				
		47.712	60.015	85.5	O	O				
	1280 x 720	44.444	59.98	64	O	O				
		44.772	59.86	74.5	O	O				
		56.456	74.78	95.75	O	O				
	1280 x 768	47.776	59.87	79.5	O	O				
		47.396	59.995	68.25	O	O				
		68.633	84.837	117.5	O	O				
	1280 x 800	49.306	59.91	71	O	O				
		49.702	59.81	83	O	O				
	SXGA	1152x864	67.5	75	108	O	O			
			63.981	60.02	108	O	O			
		1280x1024	79.976	75.025	135	O	O			
	SXGA+	1400 x 1050	91.146	85.024	157.5	O	O			
			64.744	59.95	101	O	O			
	1440 x 900	65.317	59.98	121.75	O	O				
		55.469	59.901	88.75	O	O				
		55.935	59.88	106.5	O	O				
WSXGA+ 1680 x 1050	64.674	59.98	119	O	O					
	65.29	59.954	146.25	O	O					
UXGA 1600 x 1200	75	60	162	O	O					
	1920 x 1080	66.587	59.93	138.5	O	O				
WUXA 1920 x 1200	74.038	59.95	154	O	O					
SDTV	NTSC	15.734	29.97	13.5	480i		O	O	O	
	PAL	15.625	25	13.5	576i		O	O	O	
EDTV	480p	31.5	60	27.03	O	O				
	576p	31.25	50	27	O	O				
HDTV	720p	37.5	50	74.25	O	O				
	1280x720	44.995	59.94	74.176	O	O				
		45	60	74.25	O	O				
	1280x720	28.13	50	74.25	O	O				
	1280x720	33.716	59.94	74.176	O	O				
	1080p 1920x1080	33.75	59.94	74.25	O	O				
		27	24	74.25	O					
		33.75	30	74.25						
		56.25	50	148.5	O	O				
		67.433	59.94	148.352	O	O				
	67.5	60	148.5	O	O					

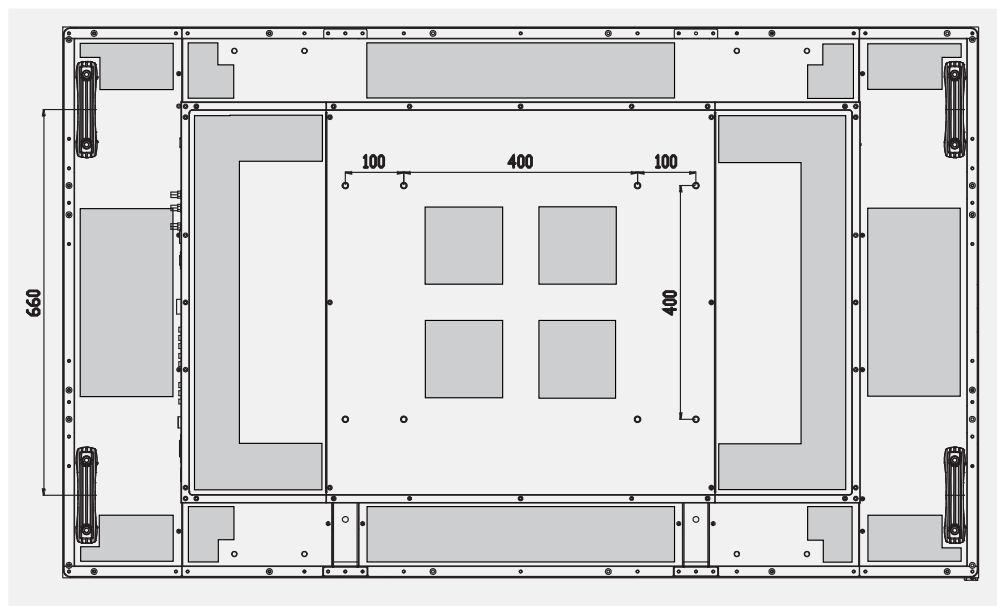
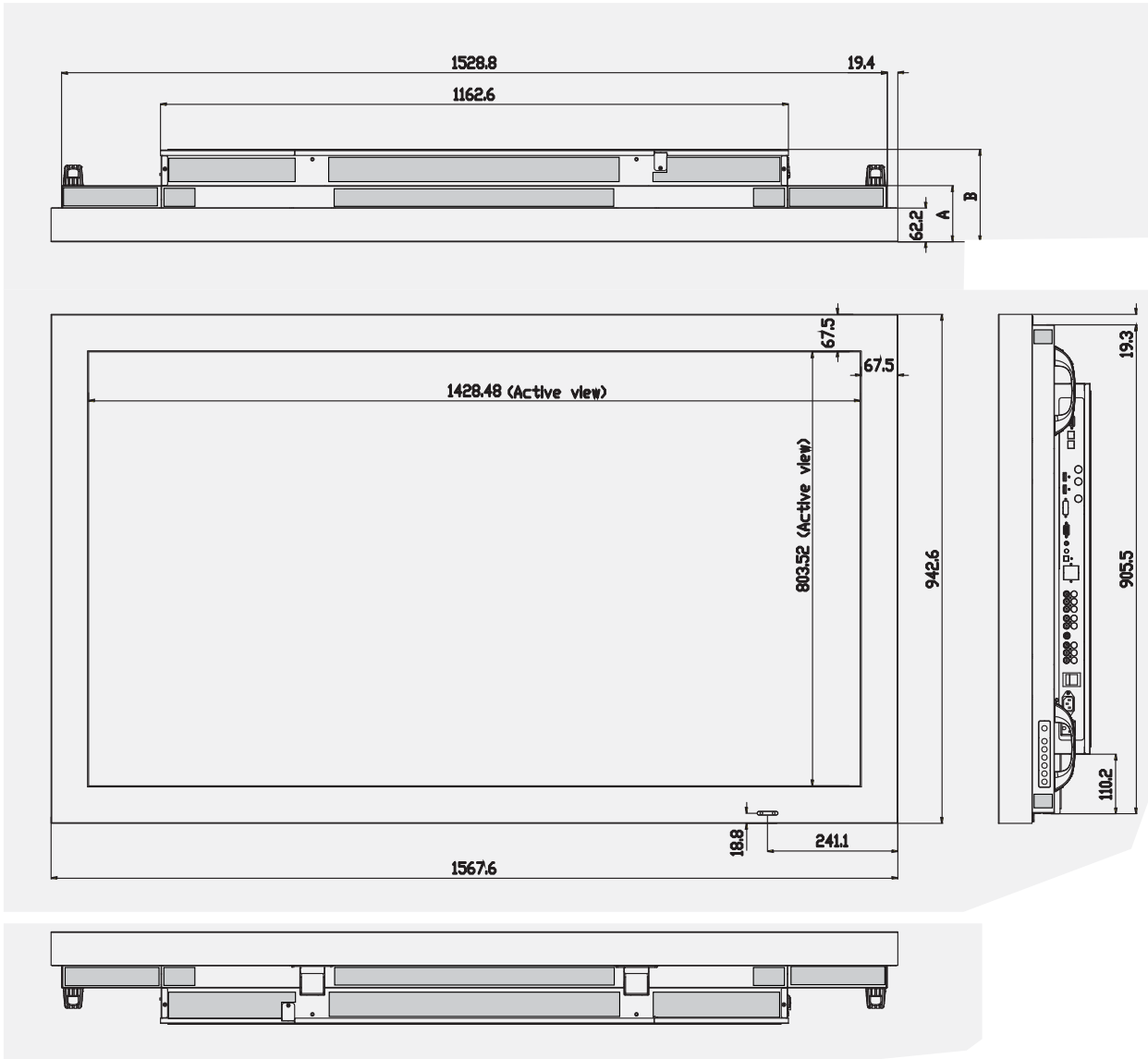
“O” means that the timing is supported
480i means that it supports 480i@60Hz(YPbPr)
576i means that it supports 576i@60Hz(YPbPr)

10 • Specification

Item		Specification
LCD panel	Resolution	1920 x 1080 (HD monitor format)
	Brightness	500 cd/m ²
	Contrast Ratio	5000:1
	Response time (GTG)	4.5 ms
	Aspect Ratio	16:9
	Horizontal Sync.	Positive / Negative
	Vertical Sync.	Positive / Negative
	Connectors	HDMI x2/ VGA/ SPDIF/ PC audio in/ IR Extender/ Audio amplifier (speaker ready)/ AV/Component/ S-V/ Audio in x2
Scan Rate	Horizontal	23~92 KHz (Analog) / 23~92 KHz (Digital)
	Horizontal	56~85 Hz (Analog) / 50~85 Hz (Digital)
Performance	Auto Adjust	Clock, Phase, H-Position and V-Position
	Screen Scaling	VGA/SVGA/XGA/WXGA/HD monitor Full Screen Display, WUXGA
	Power Management	VESA DPMS
	OSD Language	English/German/Dutch/French
	Power Input	AC 100V~240V
	Operation Mode	≤470W
	Power Saving Mode	≤1W
	Input Frequency Range	50 - 60 Hz
	Rated Input Volt	AC 100-240V
	Dimension (W×H×D)	1567.6 x 942.6 x 171mm / 61.72"x 37.11"x 6,73"
	Net Weight	85 KG
	Gross Weight w/ packing	111 KG
	Storage Temperature	Min -20°C ~ Max 60°C
	Operating Temperature	Min 0°C ~ Max 35°C
	Humidity	85% RH @40°C
	Plug and Play	DDC 2B Compliance
	RS232	D-Sub 9-pin / RJ-45 in & out
	OSD key	7 keys (⊘, SOURCE, ▶, ◀, ▲, ▼, MENU /EXIT)
	Wall mount	800 x 400 mm / 400 x 600 mm VESA
	Speaker	Input 1Vp-p, Output: 10W/4Ω x2
	Technology	Optical
	Method	Finger, gloved hand, or any other pointer
	Interface	USB (type B female)
	Transmittance	88%
	Operating System	Windows 2000 / XP / Vista, Window 7 (multi-touch requires driver), Mac OS X, Linux (older versions require ev touch)

Dimensions

Model	A	B
	103.8 mm	171 mm



11 ▪ Troubleshooting

Before calling service personnel, please check the following chart for a possible cause to the trouble you are experiencing. Perform the adjustments according to page 8 "Operating The Monitor"

- If the problem you have experienced isn't described below or you can't correct the problem, stop using the monitor and call service personnel or your dealer.

Problem	Check these things
No Display	Ensure the power plug is installed correctly on both ends. Check the main power switch is set to "—" Check that source equipment is operating correctly. Check the input signal is compatible with this display.
The image is not centered	Check the input signal is compatible with this display.
The image is not locked correctly	Check the input signal is compatible with this display.
The remote control doesn't work	Make sure the batteries fresh and are installed correctly. Ensure the remote is aimed at the IR sensor on the front of the display
The picture color looks poor	Check the picture settings. Reset the display. If you are using YUV terminals, make sure cables are correctly connected.

12 ▪ Compliance

FCC Compliance Statement:

This equipment has been tested and found to comply with the limits for a Class A digital device, pursuant to part 15 of the FCC Rules. These limits are designed to provide reasonable protection against harmful interference when the equipment is operated in a commercial environment. This equipment generates, uses, and can radiate radio frequency energy and, if not installed and used in accordance with the quick setup guide and user manual, may cause harmful interference to radio communications. Operation of this equipment in a residential area is likely to cause harmful interference in which case the user will be required to correct the interference at their own expense.

Warning

This is a Class A product. In a domestic environment this product may cause radio interference in which case the user may be required to take adequate measures.

This device complies with Part 15 of the FCC Rules. Operation is subject to the following two conditions :
(1) this device may not cause harmful interference, and
(2) this device must accept any interference received, including interference that may cause undesired operation.



EN 55022_EN 61000-3-2_EN-61000-3-3
EN 55024_IEC61000-4
EN 60950 [Low-Voltage Directive (73/23/EEC)]

Information in this document is subject to change without notice.

2011 Legamaster International B.V. All rights reserved.

Reproduction in any manner whatsoever without the written permission of Legamaster International is strictly forbidden.

Trademarks used in this text: Legamaster and the Legamaster logo are trademarks of edding AG; Windows is a registered trademark of Microsoft Corporation, Nextwindow is a registered trademark of Nextwindow.

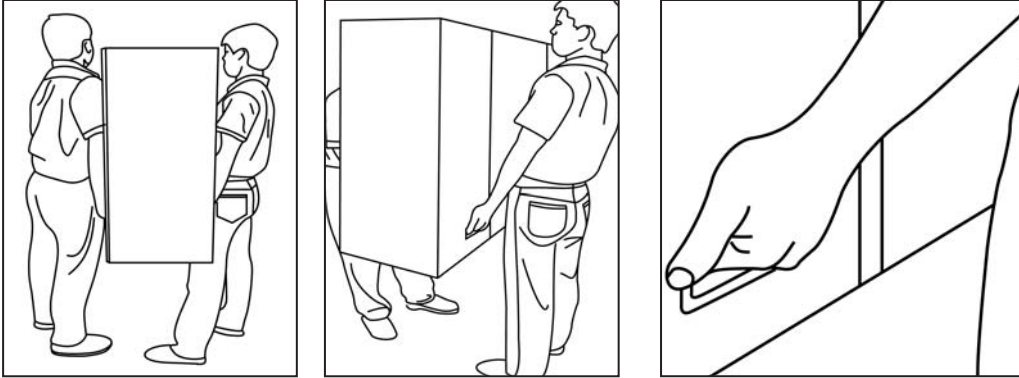
Other trademarks and trade names may be used in this document to refer to either the entities claiming the marks and names or their products. Legamaster International disclaims any proprietary interest in trademarks and trade names other than its own.

13 ▪ Appendix

Moving and Carrying Notice

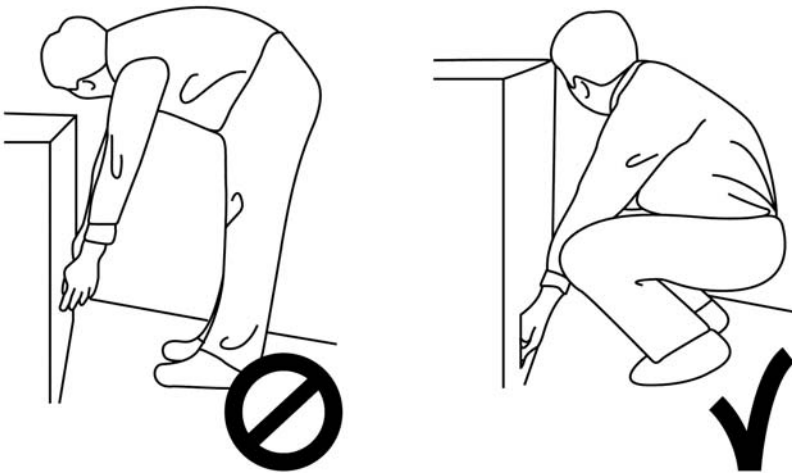
- **Moving Notice:**

Moving the monitor requires at least two people. If not, it may drop and a serious injury may result. Moving/shipping the monitor, please hold the white handles.



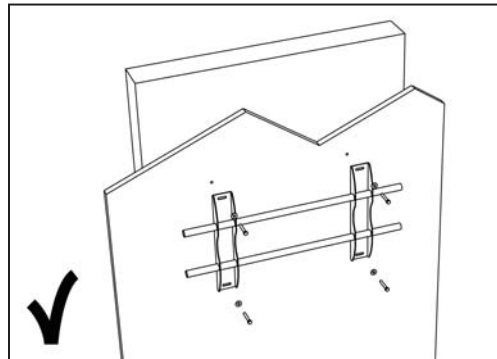
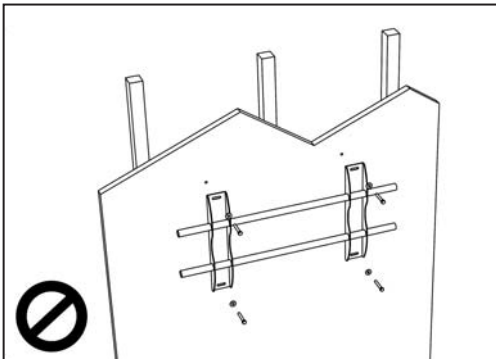
- **Carrying Notice:**

This monitor is heavy; please follow as below instruction, when you ready to carry the monitor. If not, it may cause an injury.

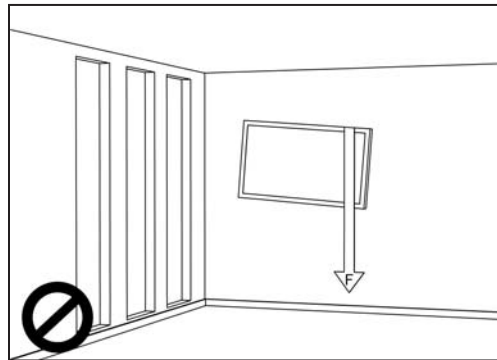
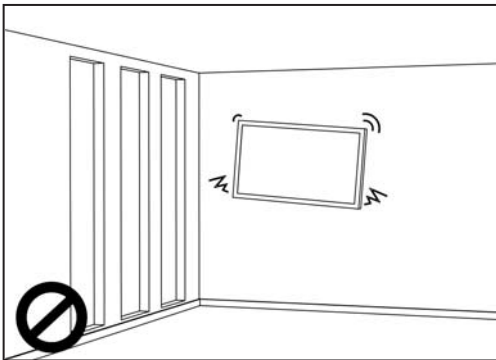


Wall Mount Safety Notes

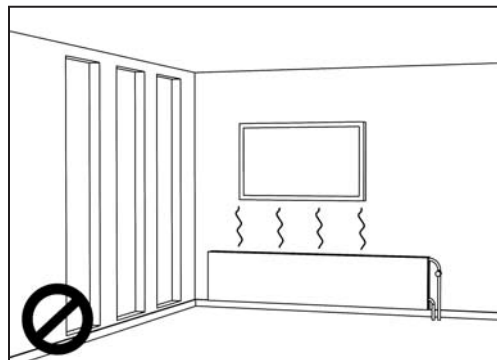
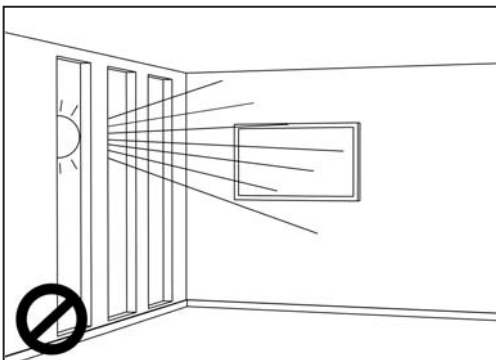
1. Please make sure if the bracket is fixed to the solid wall / solid pillar for fear of falling due to heavy weight.



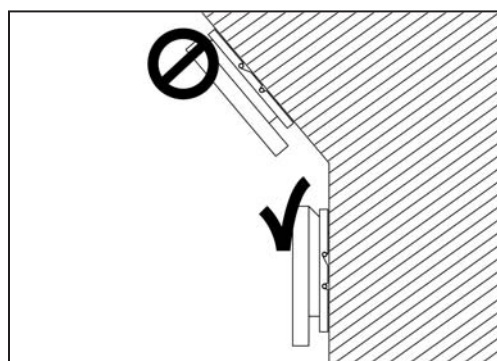
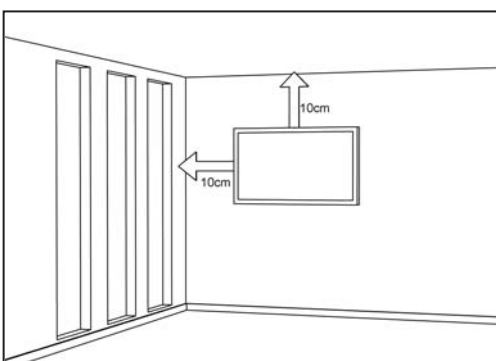
2. After assembling, please don't pull or shake violently.



3. Please don't install the bracket directly under the sunshine or humidity / high temperature places for fear that the quality is effected.



4. Installing the bracket over 10 cm from each wall side and begin vertical to the ground is the suggested installing position.



Legamaster International B.V.
Kwinkweerd 62 • Postbus 111 • 7240 AC Lochem
tel.: (+31) (0)573-713000 • fax.: (+31) (0)573-713001
email: info@legamaster.com • internet: www.e-legamaster.com

Legamaster 
We make communication visible

